

# ART.3195 KUBIK SHATSU E ART.3175 XILEMA AIR WASH

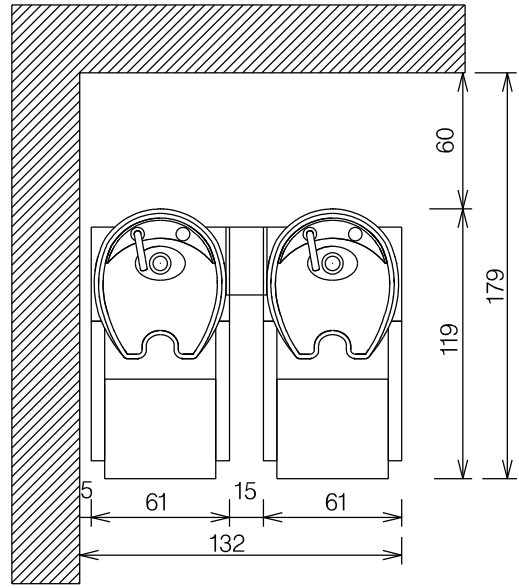
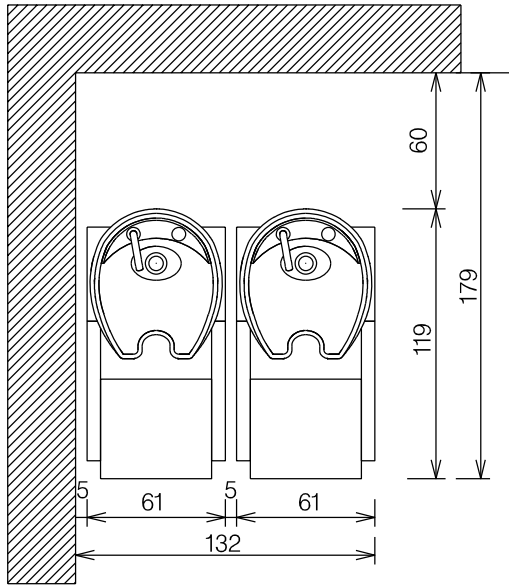
SCHEMA IDRAULICO

SCHEMA HYDRAULIQUE

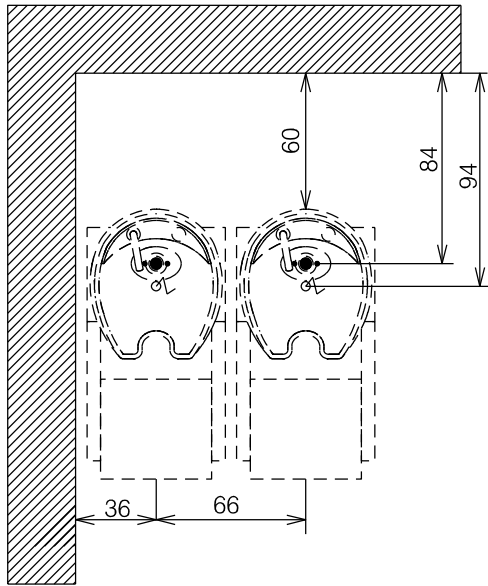
HYDRAULIC PLAN

HYDRAULISCHE PLAN

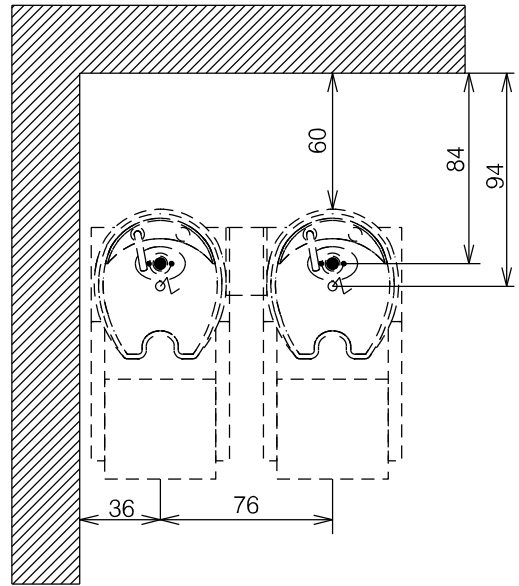
INGOMBRO TOTALE  
ENCOMBREMENT TOTAL  
TOTAL ENCUMBRANCE



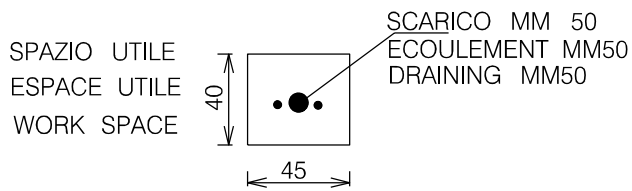
POSIZIONE DEL CENTRO SCARICO  
POSITION DU CENTRE DE L'ECOULEMENT  
SITUATION OF THE DRAINING CENTER



uscita del cavo elettrico da pavimento  
sortie du cable électrique du sol  
exit of the electric cable from the floor



uscita del cavo elettrico da pavimento  
sortie du cable électrique du sol  
exit of the electric cable from the floor



SCARICO A MURO  
ESCOULEMENT AU MUR  
DRAINING AT THE WALL

